

RAPISTAK
CORPORATION



USCR
Unit Supply Cargo Rack

*Flexible Structural Storage Solutions
for Military Applications*



www.RAPISTAK.com

716-822-2804

RAPISTAK UNIT SUPPLY CARGO RACK

“American Manufacturing Supporting American Forces”



1 RAPID DEPLOYMENT

- ▶ Save space inside or outside
- ▶ Full access to container contents in their stored positions
- ▶ Shelter equipment & personnel from the elements
- ▶ Increase efficiency of mobility functions
- ▶ For every level that product is stored vertically there is a ground space savings of 50%



2 ORGANIZED, SAFE, STRUCTURAL STORAGE



3 FULLY ACCESSABLE FOR READINESS AND DEPLOYMENT

The **Rapistak** concept is centered on **maximizing storage capacity** and increasing access by **rapidly stacking** cargo.

Rapistak Unit Supply Cargo Rack is custom designed for strategic and efficient storage of air pallets, (463L Master Pallets), air containers (ISU® 90 containers), cargo containers (CONEX boxes) and large palletizable items.

RAPISTAK UNIT SUPPLY CARGO RACK

PROBLEM



✗ TRADITIONAL STORAGE METHODS *DUNNAGE, UNSTACKABLE, RESTRICTED ACCESS*

- ✗ Under utilized space
- ✗ Not deployment ready
- ✗ Labor intensive handling
- ✗ No expansion potential
- ✗ Drain on warehouse personnel
- ✗ **“WARNING, DO NOT STACK”!**
Staged or fully-loaded air pallets cannot be stacked on top of each other due to great weights and inevitable product damage that would occur. Therefore, each air pallet simply occupies ground space, wasting the cubic potential of a warehouse.

SOLUTION



✓ RAPISTAK UNIT SUPPLY CARGO RACK *SOLUTIONS FOR YOUR LOGISTICAL CHALLENGES*

- ✓ Enables cargo and container stacking whether empty or fully loaded
- ✓ Take advantage of outdoor yard space
- ✓ Maximizes cubic space rather than floor area
- ✓ Eliminates need for dunnage blocks
- ✓ Facilitates strategic inventory process for air pallets
- ✓ Enables immediate access to any pallet for rapid deployment
- ✓ Withstands years of demanding service... and saves money

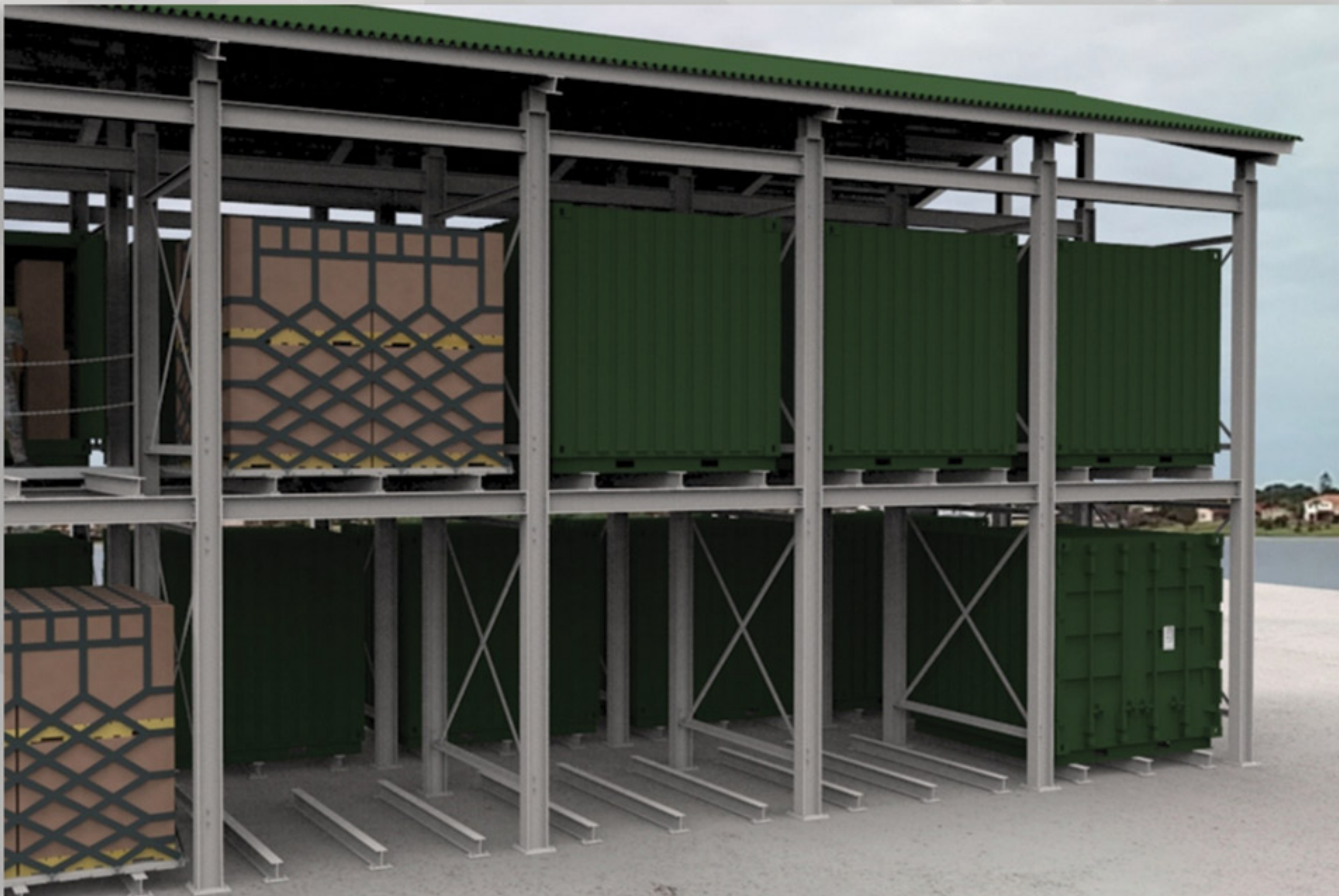


RAPISTAK UNIT SUPPLY CARGO RACK

ACCESS THE PALLET OR CONTAINER YOU NEED WHEN YOU NEED IT.



NO REQUIREMENT FOR WOODEN BLOCKS (DUNNAGE).



RAPISTAK UNIT SUPPLY CARGO RACK



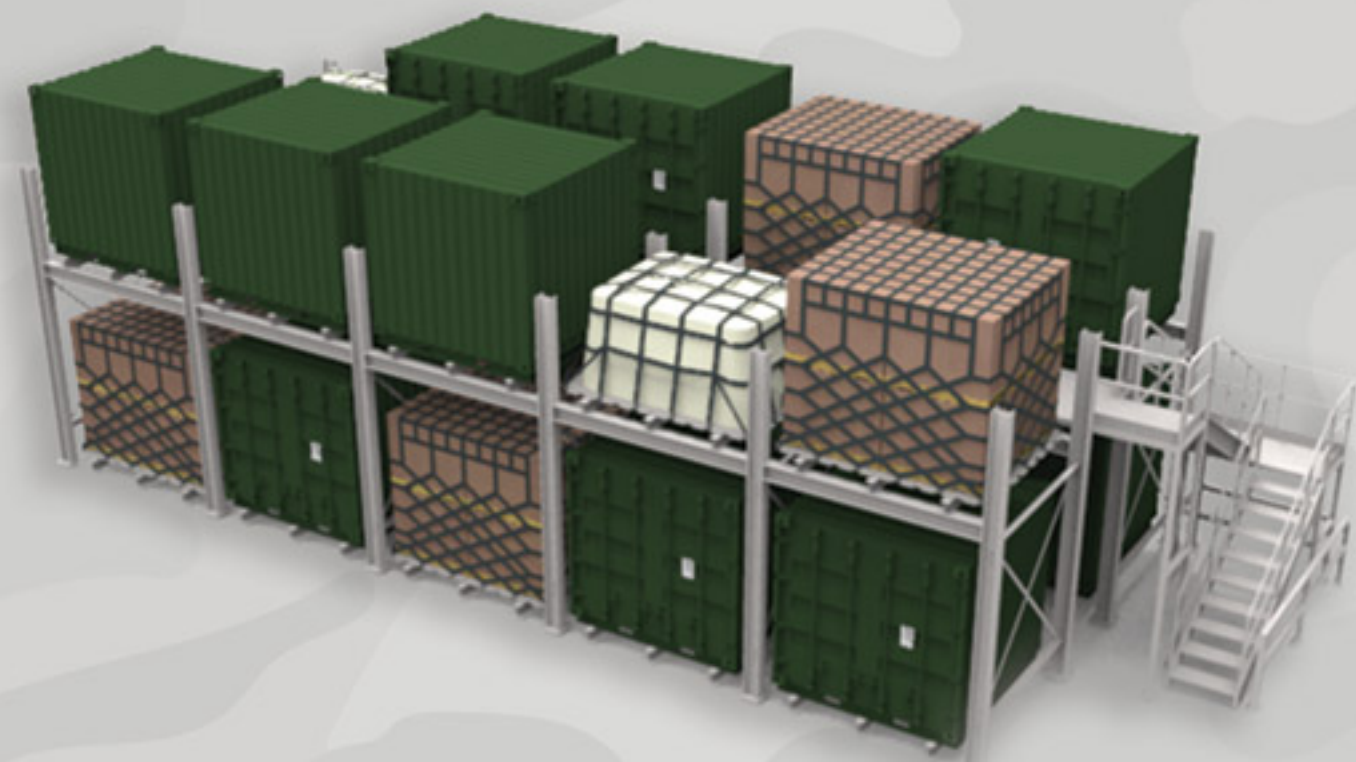
STANDARD TWO LEVEL UNIT SUPPLY CARGO RACK SYSTEM

STANDARD TWO LEVEL UNIT SUPPLY CARGO RACK SINGLE ROW WITH ROOF AND RAPID ACCESS WALKWAY



STANDARD TWO LEVEL UNIT SUPPLY CARGO RACK DOUBLE ROW WITH ROOF AND RAPID ACCESS WALKWAY

STANDARD TWO LEVEL UNIT SUPPLY CARGO RACK SINGLE ROW WITH ROOF AND RAPID ACCESS WALKWAY



STANDARD MULTI-LEVEL UNIT SUPPLY CARGO RACK SINGLE ROW SYSTEM

RAPISTAK UNIT SUPPLY CARGO RACK

SINGLE RACK SECTION 2 LEVELS HIGH

Each level is provided with a front and back cross beam and three front-to-back fork beams. The front-to-back fork beams allow for pallet fork clearance when picking or placing a load.



Each level is designed to support a 12,000 pound load, giving each section of rack a maximum capacity of 24,000 pounds. All structural beams are galvanized for protection against all weather conditions.

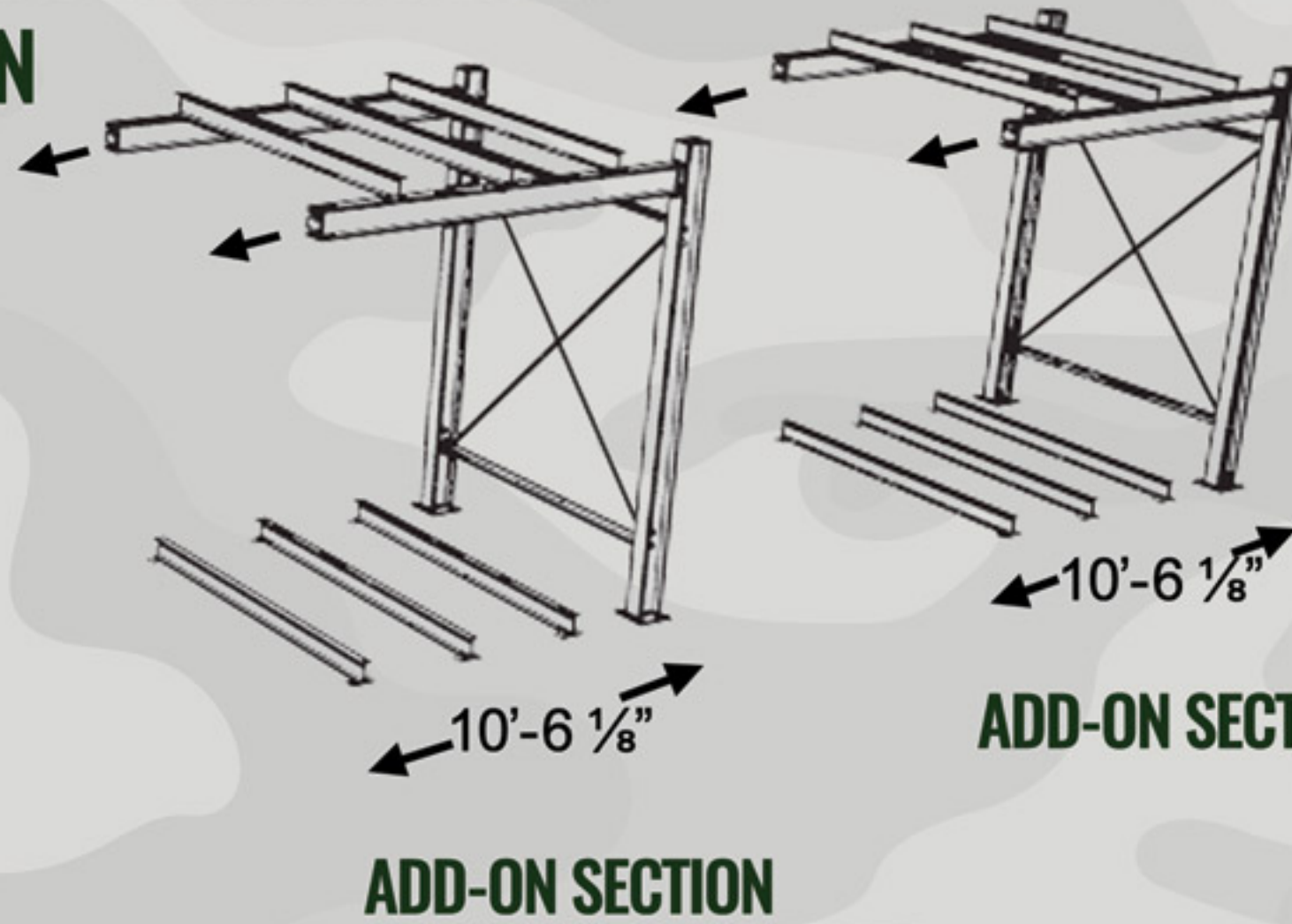
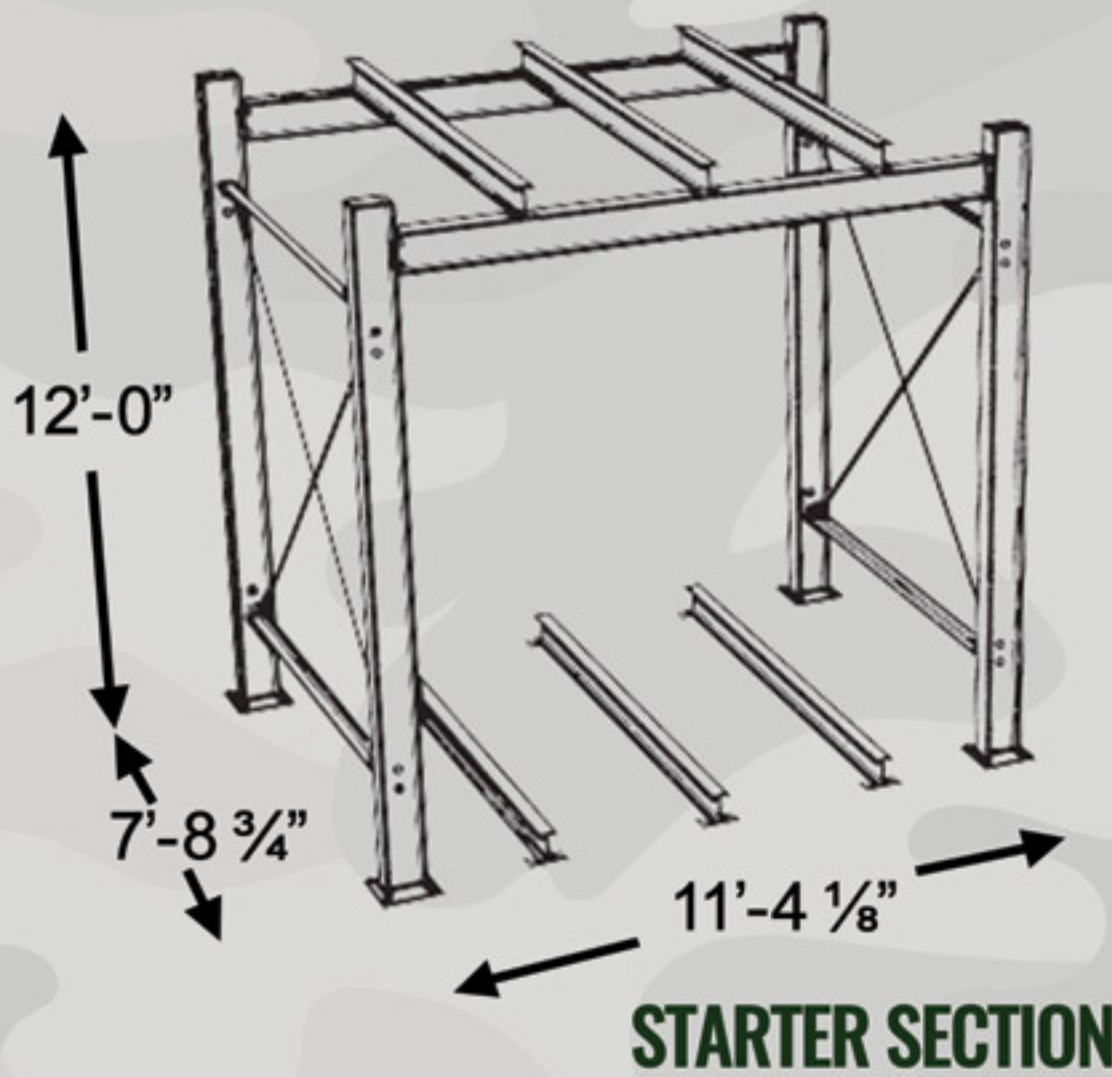
Minimum number of platforms per section:

- ◇ 1 in rack up to 12'-6" high
- ◇ 2 in rack over 12'-6" high

Maximum heights for the top beam	
Overall Rack Height*	Top beam height
10'-0"	10'-2 1/4"
12'-6"	12'-6 1/4"
15'-0"	15'-2 1/4"
17'-6"	17'-6 1/4"
20'-0"	20'-2 1/4"

(*) Without shimming

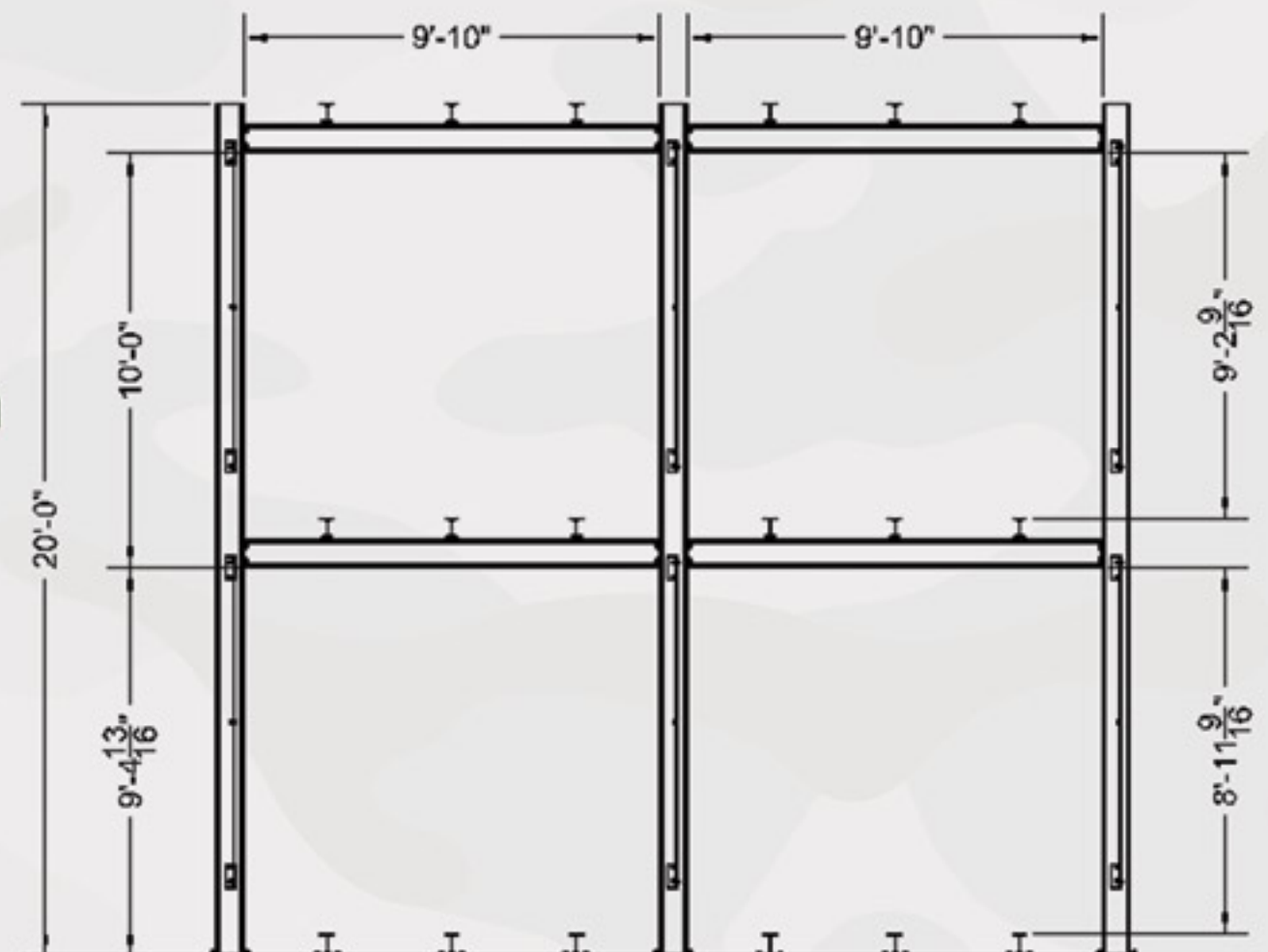
TYPICAL RACK CONFIGURATION



A minimum of 4" clearance between master pallet and rack uprights of each section of rack is standard.

Each front-to-back fork beam at ground level is anchored to the ground.

- ▶ Shelf capacity: 12,000 lbs. The cargo rack load beams have a safety factor of 1.67 based on minimum yield of steel.
- ▶ Section capacity: 24,000 lbs for three level cargo rack section (excluding the ground position - so effective 'section' capacity is 36,000 lbs.)
- ▶ The maximum distance from the floor to the bottom of the load beam is 11'-10 13/16". * Measured from the bottom of the load beams.
- ▶ The maximum clear space is 9'-2 9/16" - this is for the load and pallet height, plus lifting clearances.
- ▶ Rack design (engineering considerations) - the same design considerations have been employed with the Unit Supply Cargo Rack as with the Max-Rak 246 Instantly Adjustable Pallet Rack.



RAPISTAK UNIT SUPPLY CARGO RACK

SINGLE RACK SECTION 2 LEVELS HIGH WITH WALKWAY



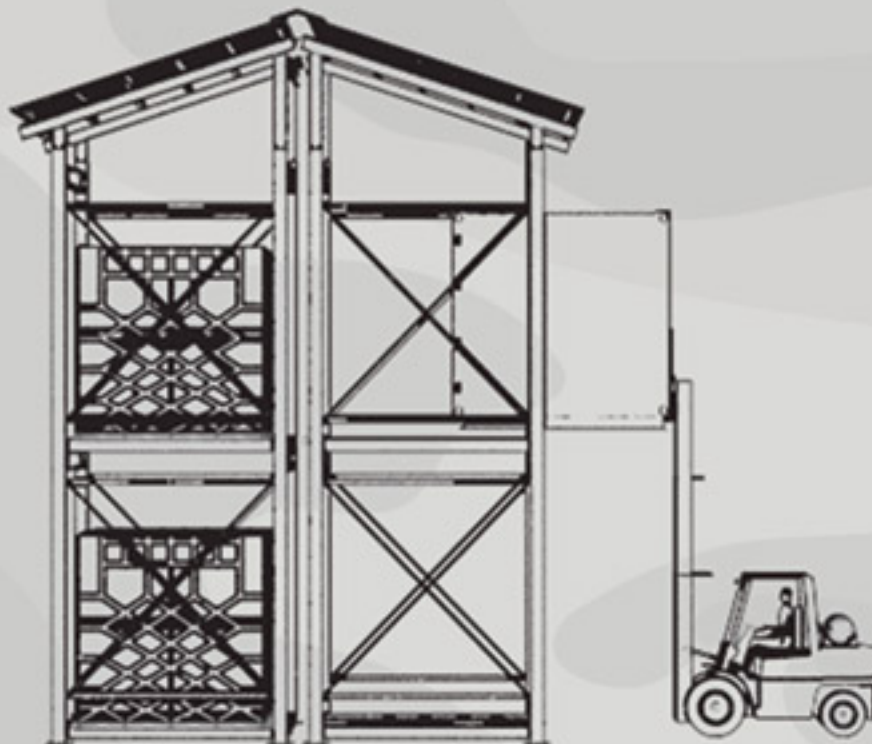
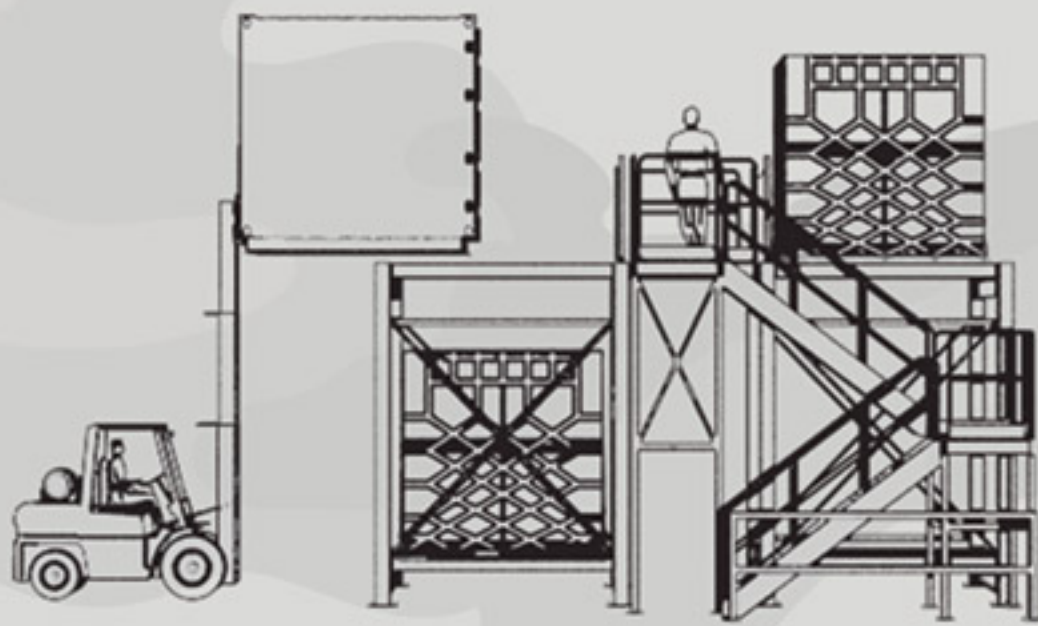
When rapid access of unit supplies are required our two level racks can be provided with a rapid access walkway. Our walkways are designed for maximum safety with steel bar grate decking and full length safety handrails.

When no load is stored in the upper level a removable safety chain is provided.

+ DOUBLE ROW WITH CENTRAL RAPID ACCESS WALKWAY

+ DOUBLE ROW WITH ROOF

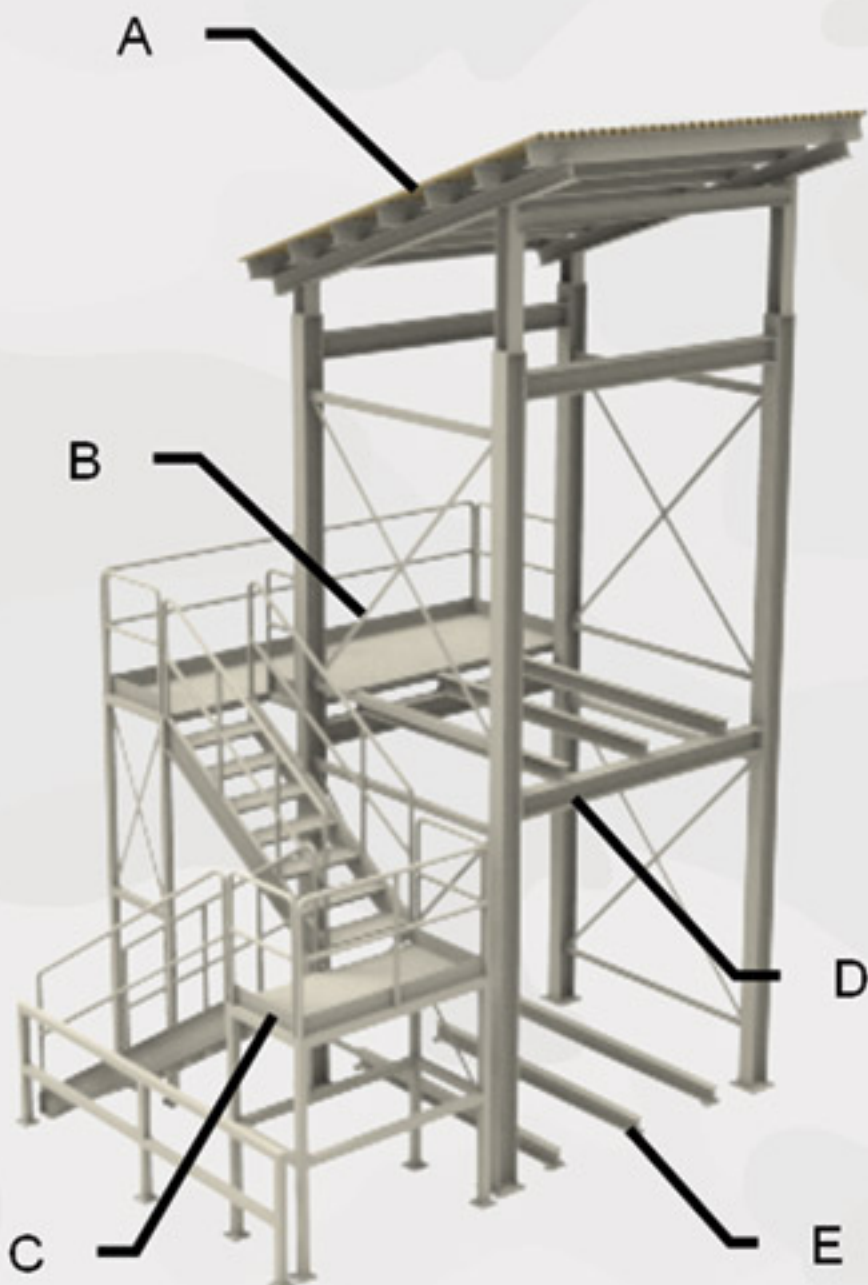
+ DOUBLE ROW WITH CENTRAL RAPID ACCESS WALKWAY AND ROOF



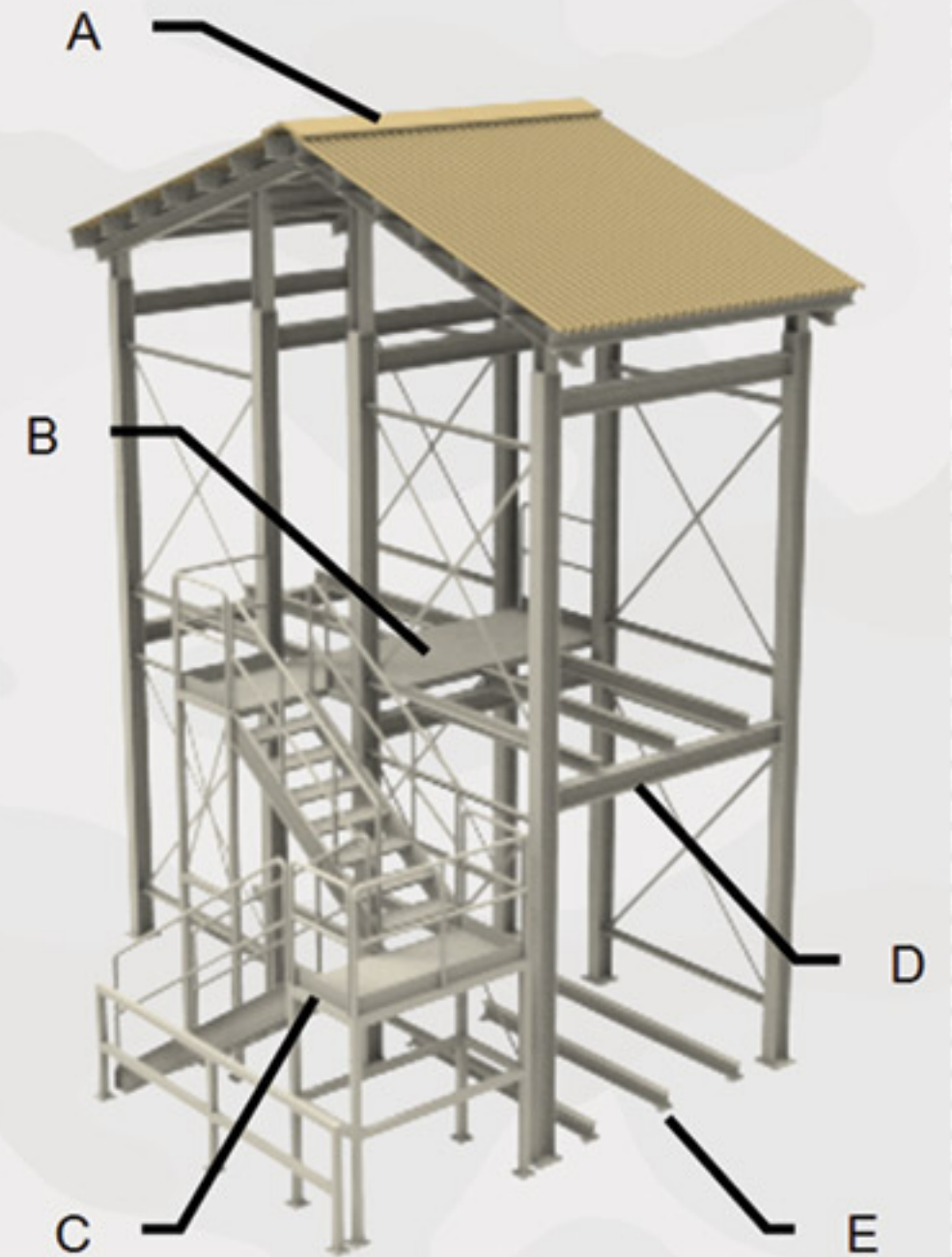
+ OPTIONAL SINGLE ROW WITH RAPID ACCESS WALKWAY, TWO STORY STAIR KIT AND ROOF



+ OPTIONAL DOUBLE ROW WITH CENTRAL RAPID ACCESS WALKWAY, TWO STORY STAIR KIT AND ROOF



- A) Optional Roof
- B) Optional Galvanized Rapid Access Walkway
- C) Two Story Galvanized Stairway and Landing
- D) Second Level Support Beam with Front-To-Back Fork Beams
- E) Ground Level Position Front-To-Back Fork Beams





*Flexible Structural Storage Solutions
for Military Applications*

RAPISTAK
CORPORATION

2025 Electric Avenue
Buffalo, New York 14219
Phone: 716-822-2804
Email: sales@rapistak.com

CAGE code: 642D0
DUNS number: 127761497



www.RAPISTAK.com